

## **100% stainless stacker - fully powered and hygienic**

The fully powered stacker, Logi-Inox SELF PLUS, is ideal for wet, aggressive and clean environments in the food and pharmaceutical industries.

It is designed to work in environments with severe hygiene demands and environments where it is exposed to thorough cleaning as well as low temperatures. It helps minimise the risk of bacterial contamination.

Logi-Inox SELF PLUS lifts, transports and stacks goods in very confined areas in temperatures down to -30°.

It is very manoeuvrable and optimises space utilisation in storage and production areas.



# LOGI-INOX SELF PLUS

## Technical Specifications

Logi-Inox SELF PLUS has a capacity of 1200 kg and is available with lifting heights from 1700 to 4200 mm.

Long operating life and low maintenance costs

- ingress protection, IP54
- strong and solid construction
- steel type EN1.4301

Top flexibility

- highly manoeuvrable
- optimum utilisation of the space
- operating down to -30°
- initial lifting is optional

All electronic parts and the motor have watertight casings.



The key switch is placed in a watertight box.



Central location of all control buttons.



AC technology.

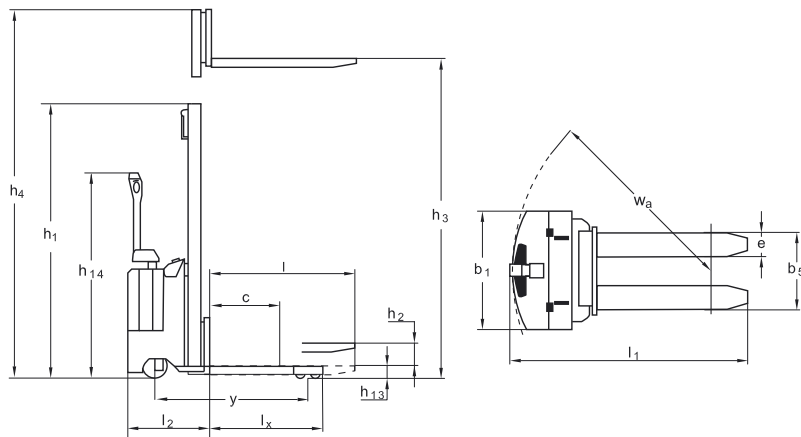


Logi-Inox SELF PLUS in the food industry.



Optimum safety through transparent and impact-resistant safety screen and reduced driving speed in raised position.

Product (measured in mm)	ISELF	ISELF	ISELF
Capacity in kg	1200	1200	1200
Lifting height with wrap-over forks	1700	2400	3200
Fork length	1120-1600		
Overall height	2000	1700	2100
Overall width	850		
Fork span	560, 680		
Length without forks	615		
Overall length	615 + l		
Overall height	2000	2800	3600
Lowered height, forks	85		
Load centre	l/2		
Fork width	180		
Run-in length	850 v/1120 fork length		
Wheelbase (l=1120)	1125		
Gangway	2170 (pallet: 1200 x 800)		
Free lift			160
Height of handle	1560		
Turning angle of the wheels	180°		
Turning radius Wa (l=1120)	1320		
Motor	24 V 0,8 kW		
Driving speed with/without load	4,0/5,5 km/h electronically variable		
Pump motor	24V 2,2 kW		
Lifting speed with/without load	0,07/0,12 m/s		
Lowering speed with/without load	0,12/0,2 m/s		
Weight with 1120 mm forks (no battery)	505 kg	585 kg	625 kg



Please ask for further information or visit our website [www.logitrans.com](http://www.logitrans.com).